

## WT588D SUPPLY INFORMATION

### 1. WT588D voice singlechips and modules.

TYPE	PACKAGE	MODEL	DURATION ( @6K )	MEMORY
MODUEL	16PIN MODULE (COB & HARD PACKAGE )	WTW30-16	32S	2M
		WTW100-16	102S	4M
		WTW230-16	238S	8M
		WTW510-16	516S	16M
		WTW1000-16	1054S	32M
	28PIN MODULE (COB & HARD PACKAGE )	WTW30-28	32S	2M
		WTW100-28	102S	4M
		WTW230-28	238S	8M
		WTW510-28	516S	16M
		WTW1000-28	1054S	32M
CHIP	DIP18	WT588D-18P	EXTERNAL 2M-32M (32-1054S)	
	SSOP20	WT588D-20SS	EXTERNAL 2M-32M (32-1054S)	
	LQFP32	WT588D-32L	EXTERNAL 2M-32M (32-1054S)	



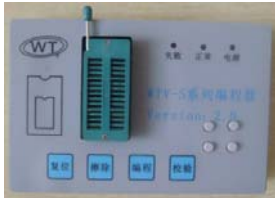

### 2. The relationship of memory capacity, sampling rate and duration.(the following data only for WT588D)

S \ D \ M	M					
	2M	4M	8M	16M	32M	64M
6K	33	101	238	516	1057	2149
8K	25	76	178	383	793	1612
10K	20	61	143	307	634	1290
12K	17	51	119	255	529	1075
14K	14	43	102	219	453	921
16K	12	38	89	192	396	806
18K	11	34	79	170	352	716
20K	10	30	71	153	317	645

M: memory      D: duration      S: sampling rate

## 3.WT588D programmers

4.

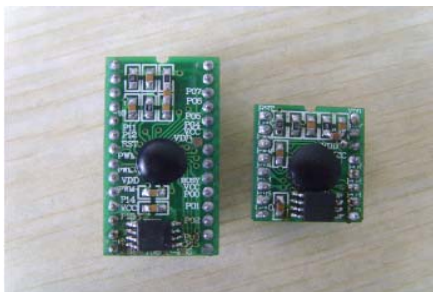
MODEL	FUNCTION	CONNECTION	VOLTAGE	PICTURE
588DWTV-S1	1.Module programming 2.External Flash programming 3.Online download 4.Simple test	USB	DC9V	
588D mini	1.Module programming 2.External Flash programming 3.Online download 4.All function test	USB	DC9V	
588DWTV-S	1.Module programming 2.External Flash programming 3.Support offline download 4.Simple test	RS232 serial port	DC9V	
588D 1 TO 8	1. Module programming (8 pcs) 2.External Flash programming(8 pcs) 3.Support offline download 4.Online download 5.All function test	USB	DC9V	

## Selection &amp; application of chip and module

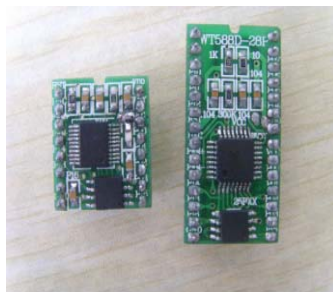
WT588D module: Including Flash, connect to external circuit can make it works. Suit for solutions of short R&D period

WT588D chip: Connect to external circuit (such as Flash, resistor), small size, suit for solutions with enough time and require small size

## 5.WT588D pictures of modules and chips



COB PACKAGE MODULES



HARD PACKAGE MODULES



CHIPS