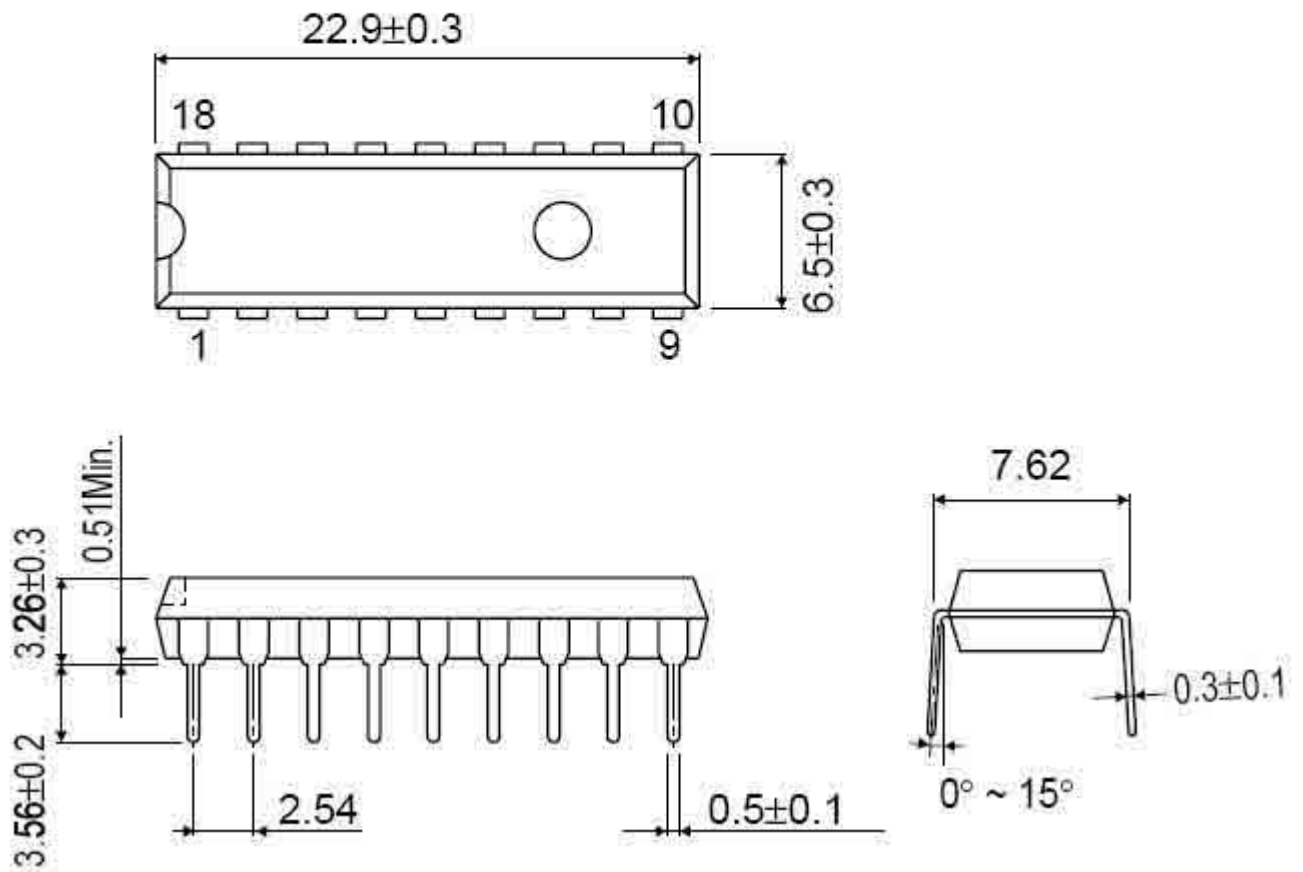


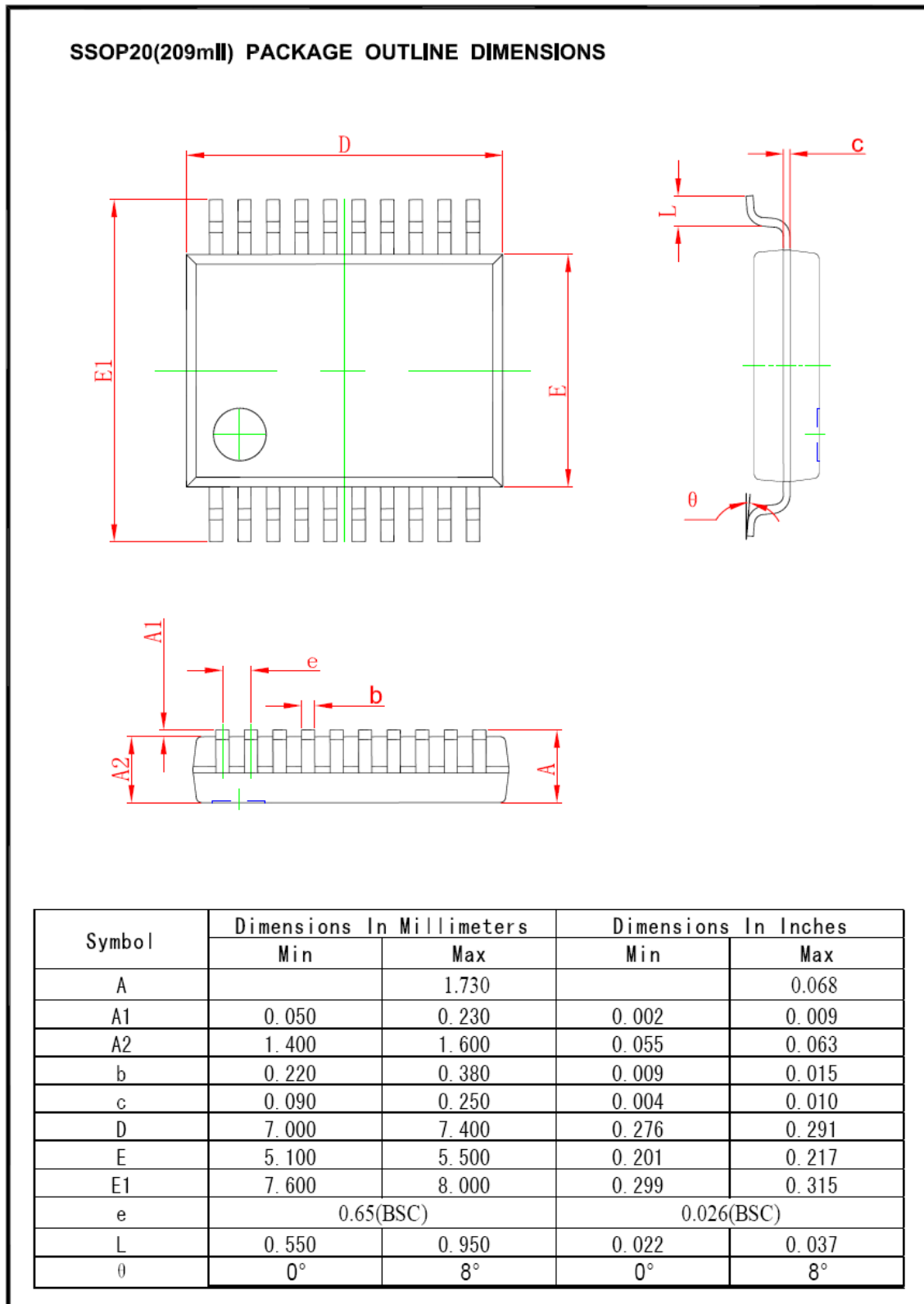
WT588D Chipset dimension

1、 WT588D-18P package Dimension

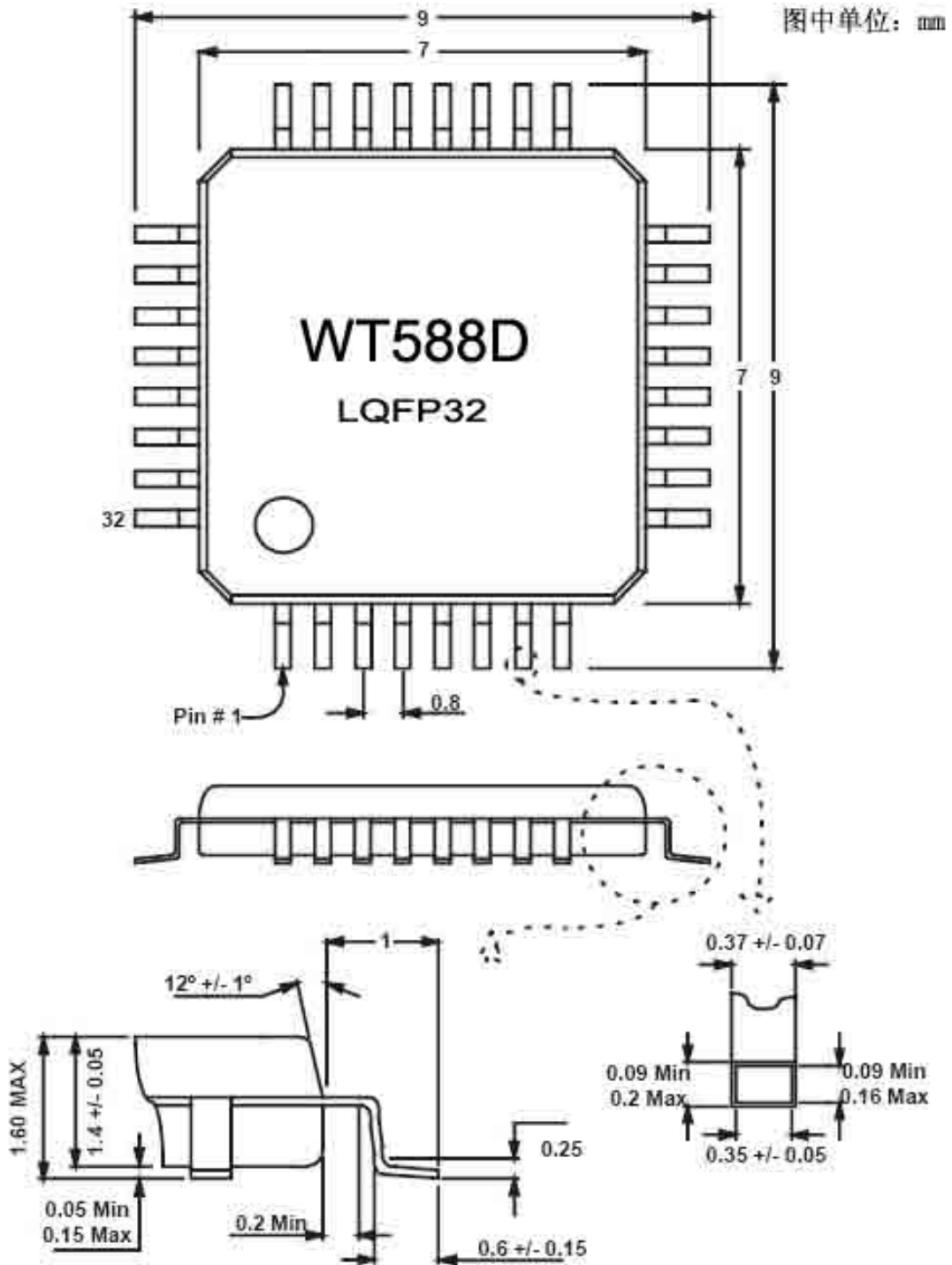
(Units : mm)



2、 WT588D-20SS package Dimension



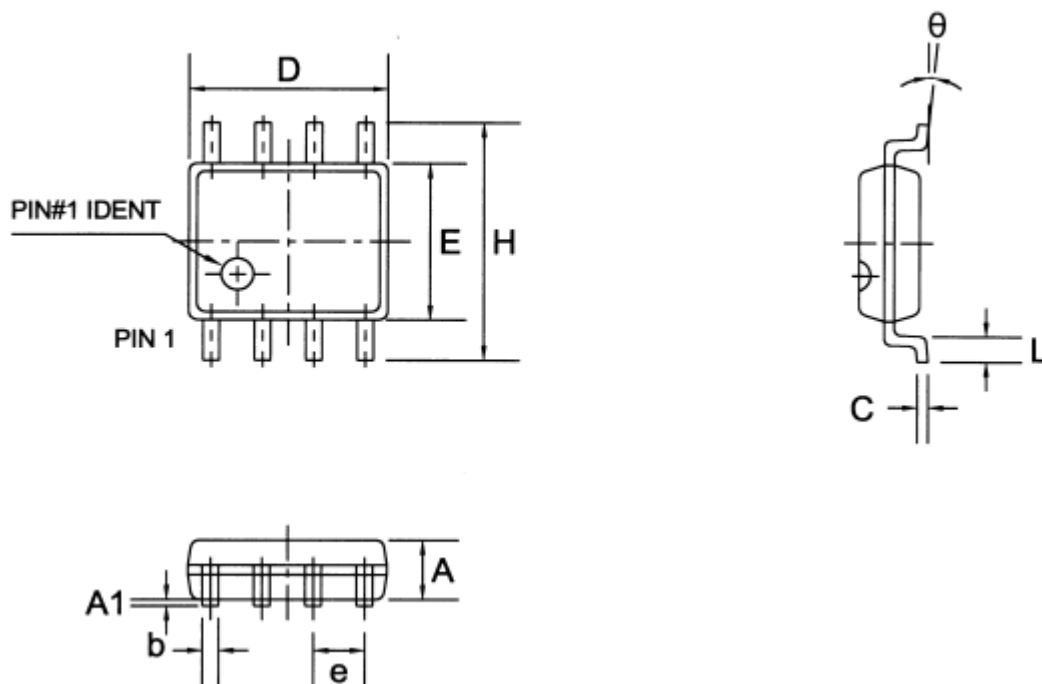
3、WT588D-32L package Dimension



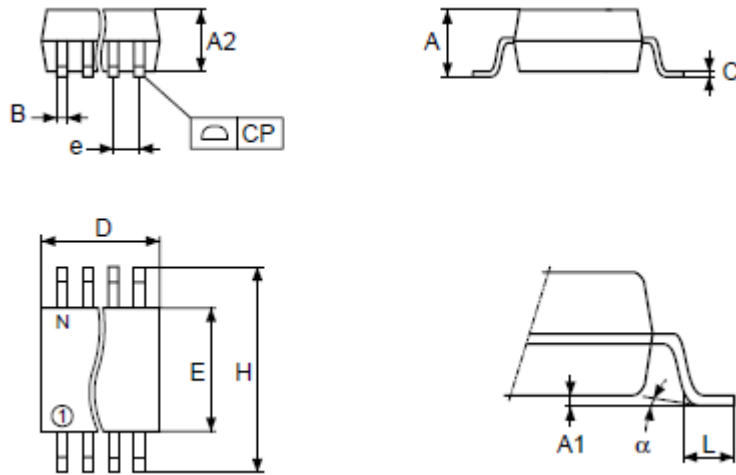
4、SPI-Flash package Dimension

4.1、25P20\25P40 package Dimension

SOP-8 DIMENSION (FIG. NO. DIM-SOP8-0103-B)



| Symbol | Dimensions In Millimeters | | | Dimensions In Inches | | |
|----------|---------------------------|------|------|----------------------|-------|-------|
| | Min | Nom | Max | Min | Nom | Max |
| A | 1.30 | 1.50 | 1.70 | 0.051 | 0.059 | 0.067 |
| A1 | 0.06 | 0.16 | 0.26 | 0.002 | 0.006 | 0.010 |
| b | 0.30 | 0.40 | 0.55 | 0.012 | 0.016 | 0.022 |
| C | 0.15 | 0.25 | 0.35 | 0.006 | 0.010 | 0.014 |
| D | 4.72 | 4.92 | 5.12 | 0.186 | 0.194 | 0.202 |
| E | 3.75 | 3.95 | 4.15 | 0.148 | 0.156 | 0.163 |
| e | — | 1.27 | — | — | 0.050 | — |
| H | 5.70 | 6.00 | 6.30 | 0.224 | 0.236 | 0.248 |
| L | 0.45 | 0.65 | 0.85 | 0.018 | 0.026 | 0.033 |
| θ | 0° | — | 8° | 0° | — | 8° |

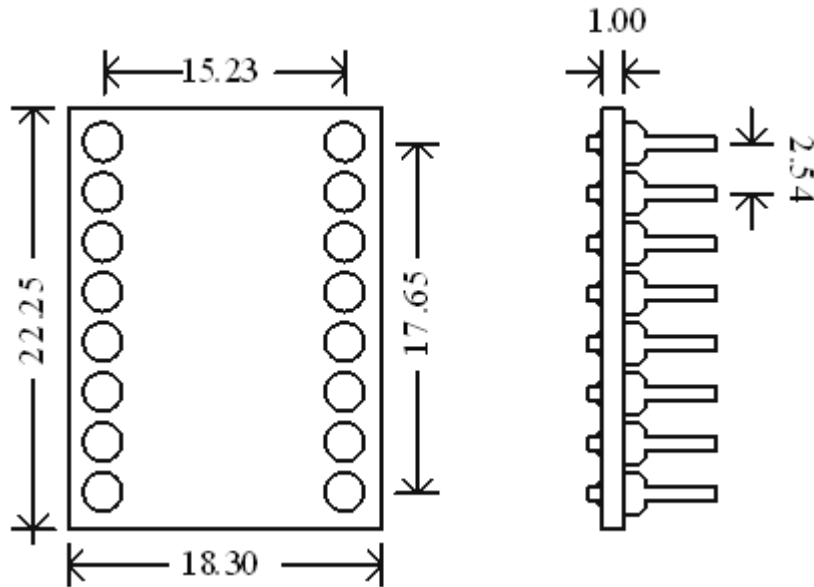
4.2. 25P40\25P80\25P16\25P32 package Dimension


| Symb. | mm | | | inches | | | |
|-------|------|------|------|--------|-------|-------|--|
| | Typ. | Min. | Max. | Typ. | Min. | Max. | |
| A | | | 2.03 | | | 0.080 | |
| A1 | | 0.10 | 0.25 | | 0.004 | 0.010 | |
| A2 | | | 1.78 | | | 0.070 | |
| B | | 0.35 | 0.45 | | 0.014 | 0.018 | |
| C | 0.20 | - | - | 0.008 | - | - | |
| D | | 5.15 | 5.35 | | 0.203 | 0.211 | |
| E | | 5.20 | 5.40 | | 0.205 | 0.213 | |
| e | 1.27 | - | - | 0.050 | - | - | |
| H | | 7.70 | 8.10 | | 0.303 | 0.319 | |
| L | | 0.50 | 0.80 | | 0.020 | 0.031 | |
| alpha | | 0° | 10° | | 0° | 10° | |
| N | | 8 | | | | 8 | |
| CP | | | 0.10 | | | 0.004 | |

5、 Dimension of WT588Dmodule

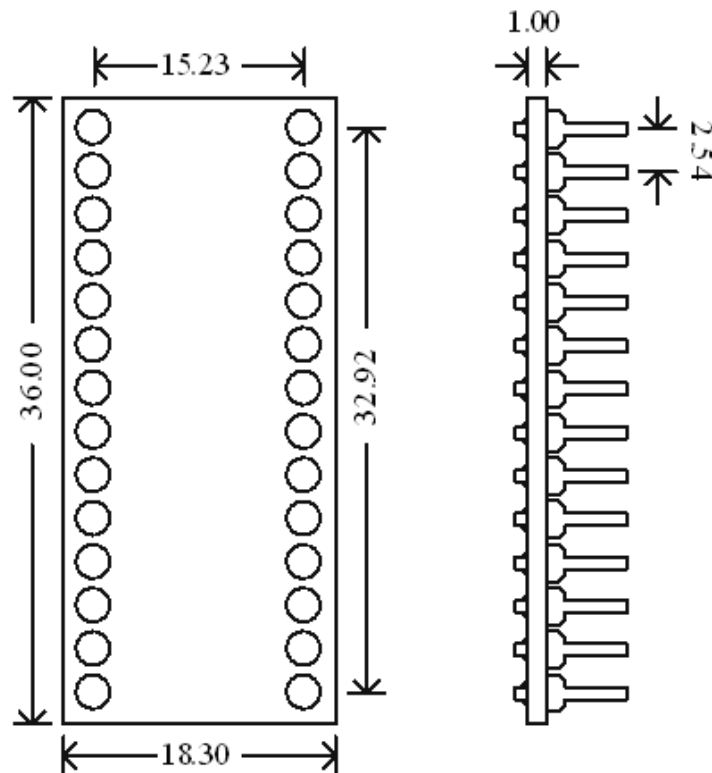
5.1、 WTW-16P package Dimension

Unit: mm



5.2、 WTW-28P package Dimension

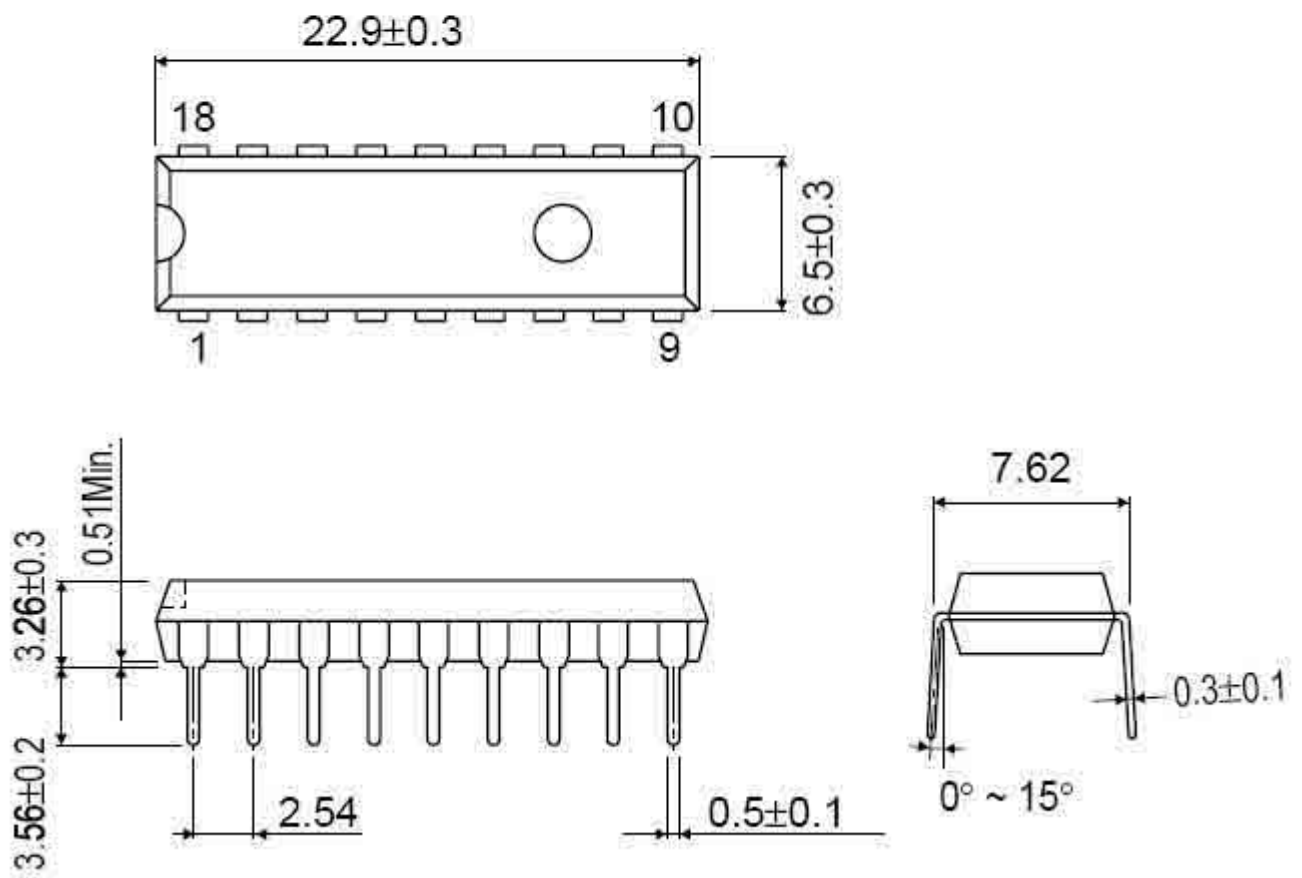
unit: mm



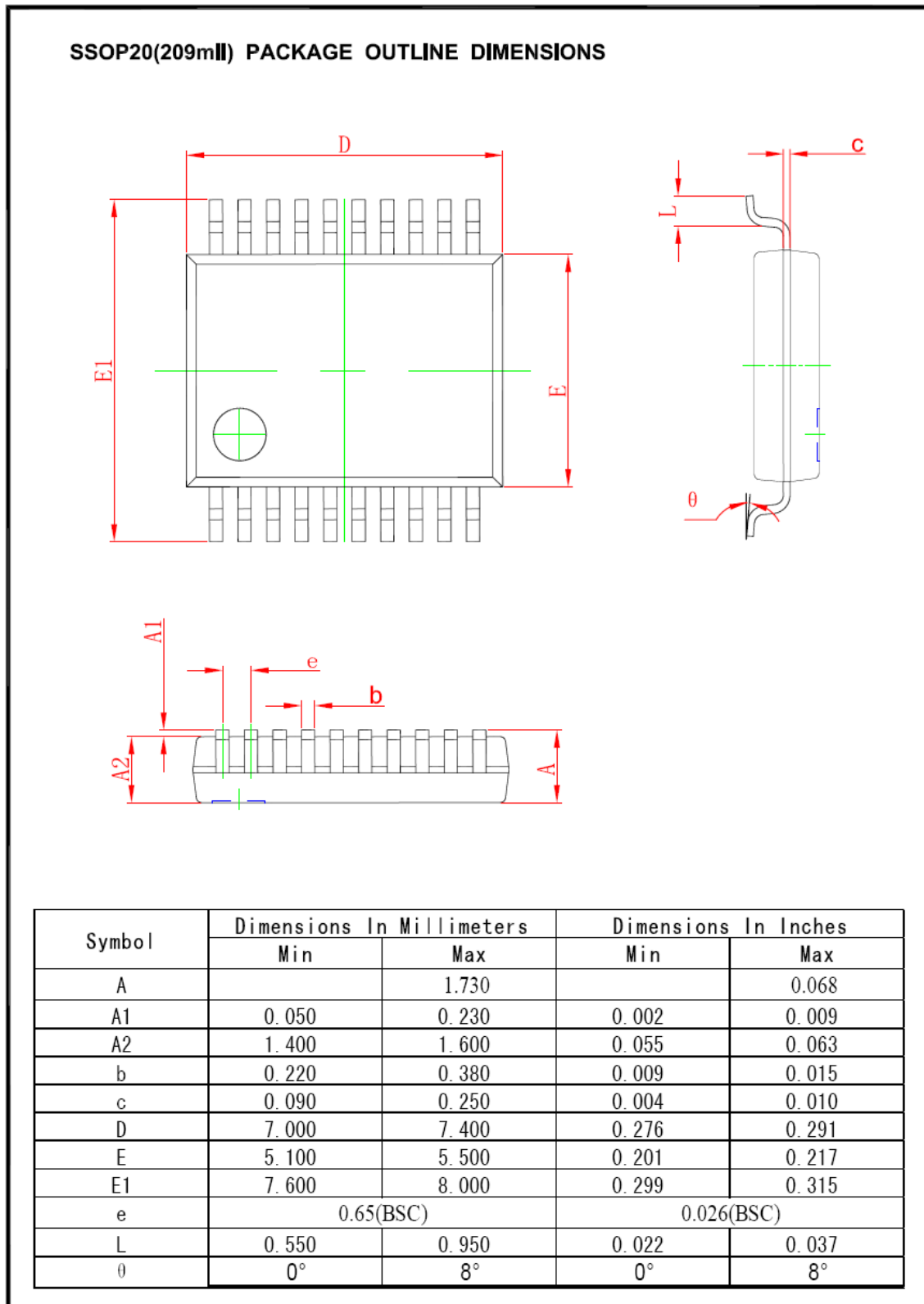
6、 WTU02 package Dimension

6.1、 WTU02-18P package Dimension

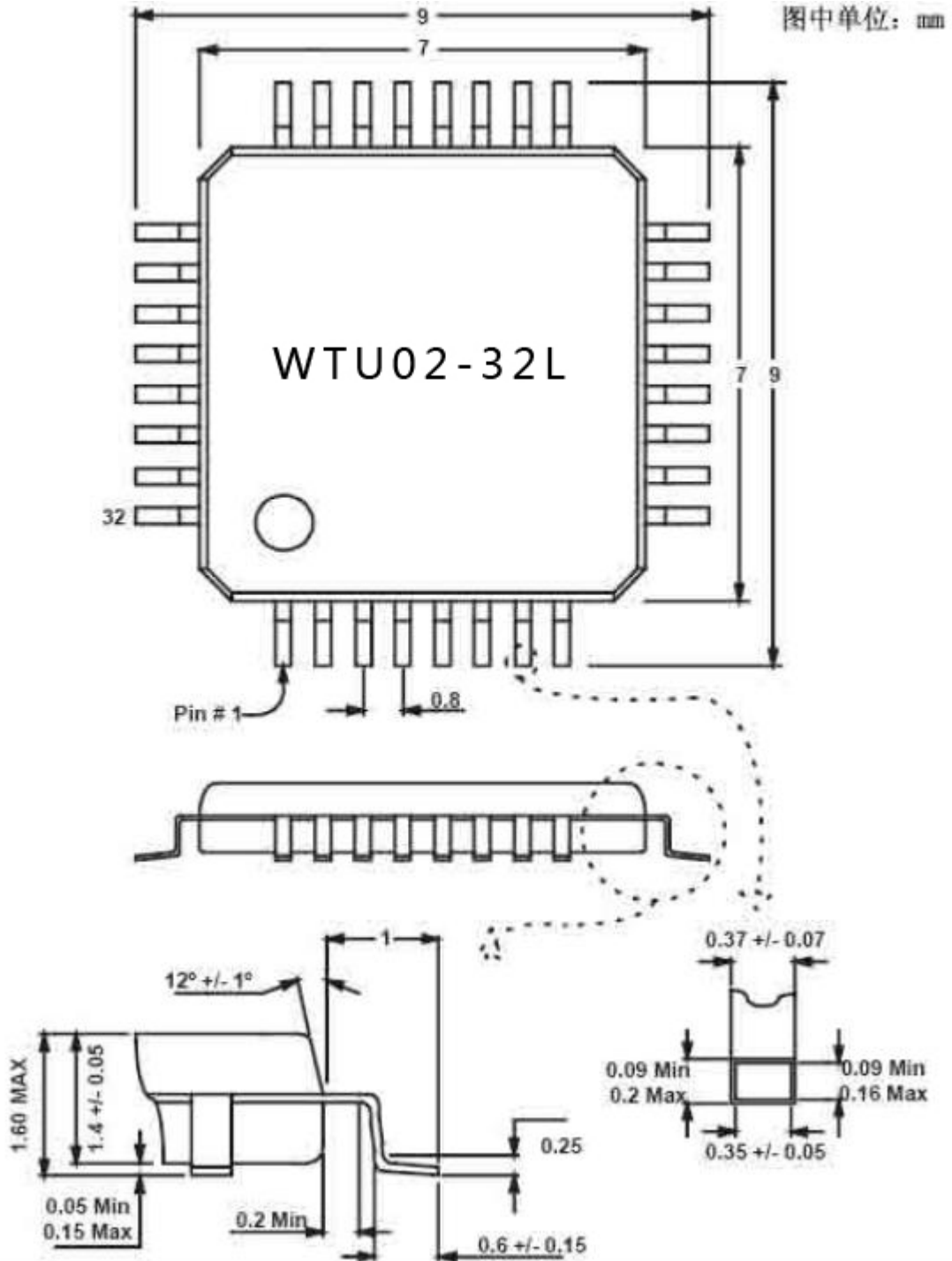
(Units : mm)



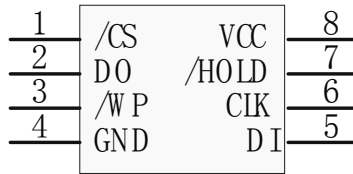
6.2. WTU02-20SS package Dimension



6.3. WTU02-32L package Dimension



7、Function of SPI-Flash ‘ pins



SPI-Flash

Operating voltage of SPI-Flash : DC2.8V ~ 3.5V, Therefore , please connect pin 3 , pin7 , pin 8 with positive power supply .

The relationship of SPI-Flash’s model & memory as follows:

| Model | Memory | Model | Memory |
|-------|--------|-------|--------|
| 25P20 | 2M | 25P16 | 16M |
| 25P40 | 4M | 25P32 | 32M |
| 25P80 | 8M | 25P64 | 64M |